

# Slimdrive

EMD

EMD-F, EMD-F-IS

EMD-F/R

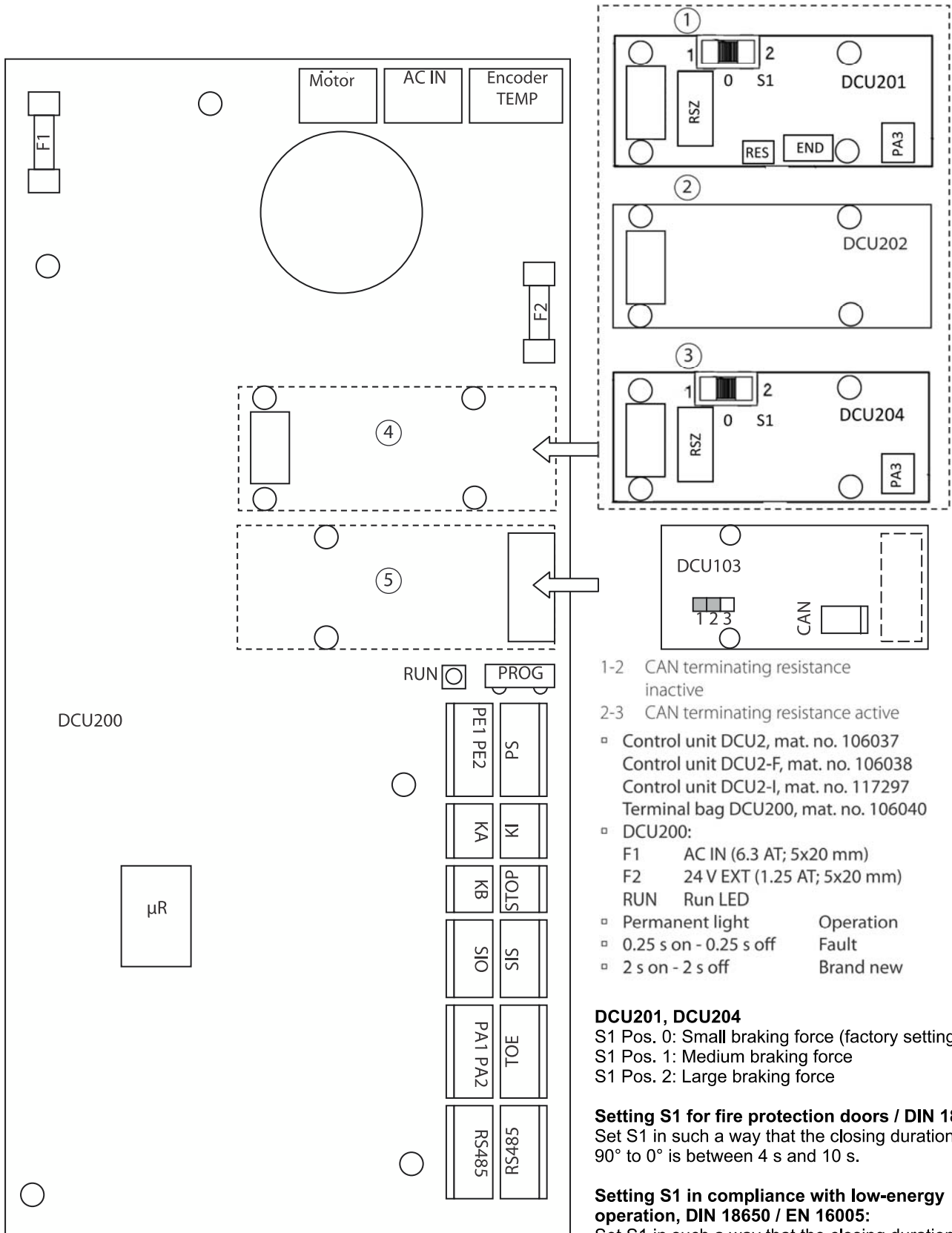
EMD Invers

EN Correction sheet  
for wiring diagram

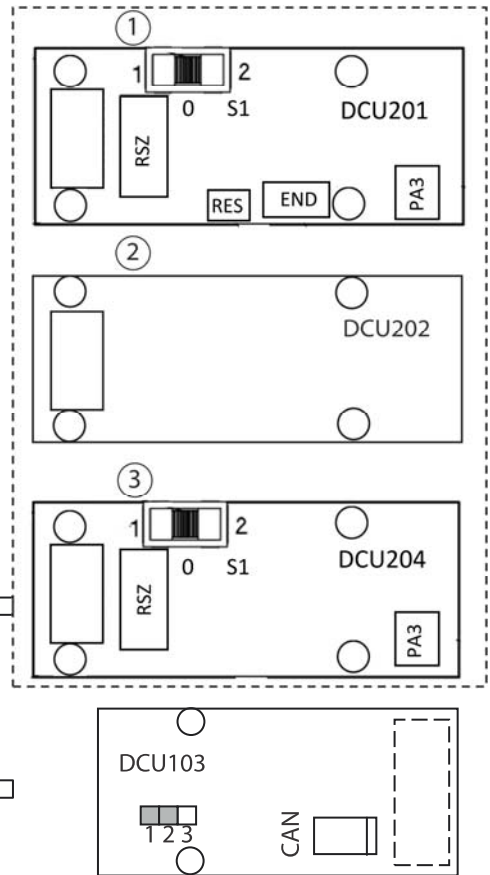
179241

### 3 Control unit and supply terminals

#### 3.1 Control unit



- 1 Control unit DCU201
- 2 Control unit DCU202
- 3 Control unit DCU204
- 4 Slot 1
- 5 Slot 2



- 1-2 CAN terminating resistance inactive
- 2-3 CAN terminating resistance active
- Control unit DCU2, mat. no. 106037
- Control unit DCU2-F, mat. no. 106038
- Control unit DCU2-I, mat. no. 117297
- Terminal bag DCU200, mat. no. 106040
- DCU200:
  - F1 AC IN (6.3 AT; 5x20 mm)
  - F2 24 V EXT (1.25 AT; 5x20 mm)
  - RUN Run LED
  - Permanent light Operation
  - 0.25 s on - 0.25 s off Fault
  - 2 s on - 2 s off Brand new

**DCU201, DCU204**

- S1 Pos. 0: Small braking force (factory setting)
- S1 Pos. 1: Medium braking force
- S1 Pos. 2: Large braking force

**Setting S1 for fire protection doors / DIN 18263:**  
 Set S1 in such a way that the closing duration from 90° to 0° is between 4 s and 10 s.

**Setting S1 in compliance with low-energy operation, DIN 18650 / EN 16005:**

Set S1 in such a way that the closing duration from 90° to 10° is greater than 6.8 s for doors with link arm and greater than 5.7 s for doors with roller guide rail.