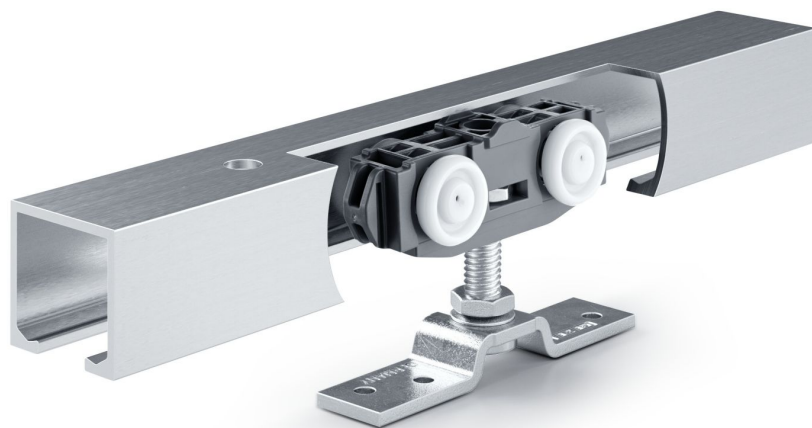


Product data sheet

Rollan 80 NT wood

Sliding fitting system for timber, plastic, or metal doors with a leaf weight of 80 kg



Product features

Particularly suitable for leaves made of wood, plastic, or metal
With damping on one or both sides for doors with up to 40 kg leaf weight, so that the door is quietly slowed down and moved into the end position
Standardised track for Rollan 40 and 80 enables simple adaptation to changing conditions of use
Smooth roller carriages, which can be set in motion with little effort
Simple setting of the interval between the door leaf and track
Concealable suspension plates allow for the door to be installed with a small clearance between the track and the upper edge of the door
Tested in accordance with DIN EN 1527 over 50,000 test cycles for durability
Closed aluminium track protects against ingress of dust and dirt
Simple, direct ceiling mounting or bracket mounting on ceiling and wall

Application Areas

For medium-weight interior sliding doors
For passage doors or partition walls in living and office areas
Lower space requirements for the door fitting means simple installation even in tight areas
Single and multiple-leaf sliding doors
Installation to the ceiling or in front of the wall

Accessory

Product name

Leaf stop
Flush pull, 15-80 mm wood
Rollan 80 NT SoftStop set, damped on one side, up to 40 kg
Clip-on cover set 100 spacer bracket
Clip-on cover set 100 plastic clip
Height compensation mechanism / ceiling spacer set, with variable adjustment
Door handle rod, configured
Set of end caps, clip-on cover 100
Set of end caps, clip-on cover 100

Part

Product name

GEZE Rollan 80 NT complete set