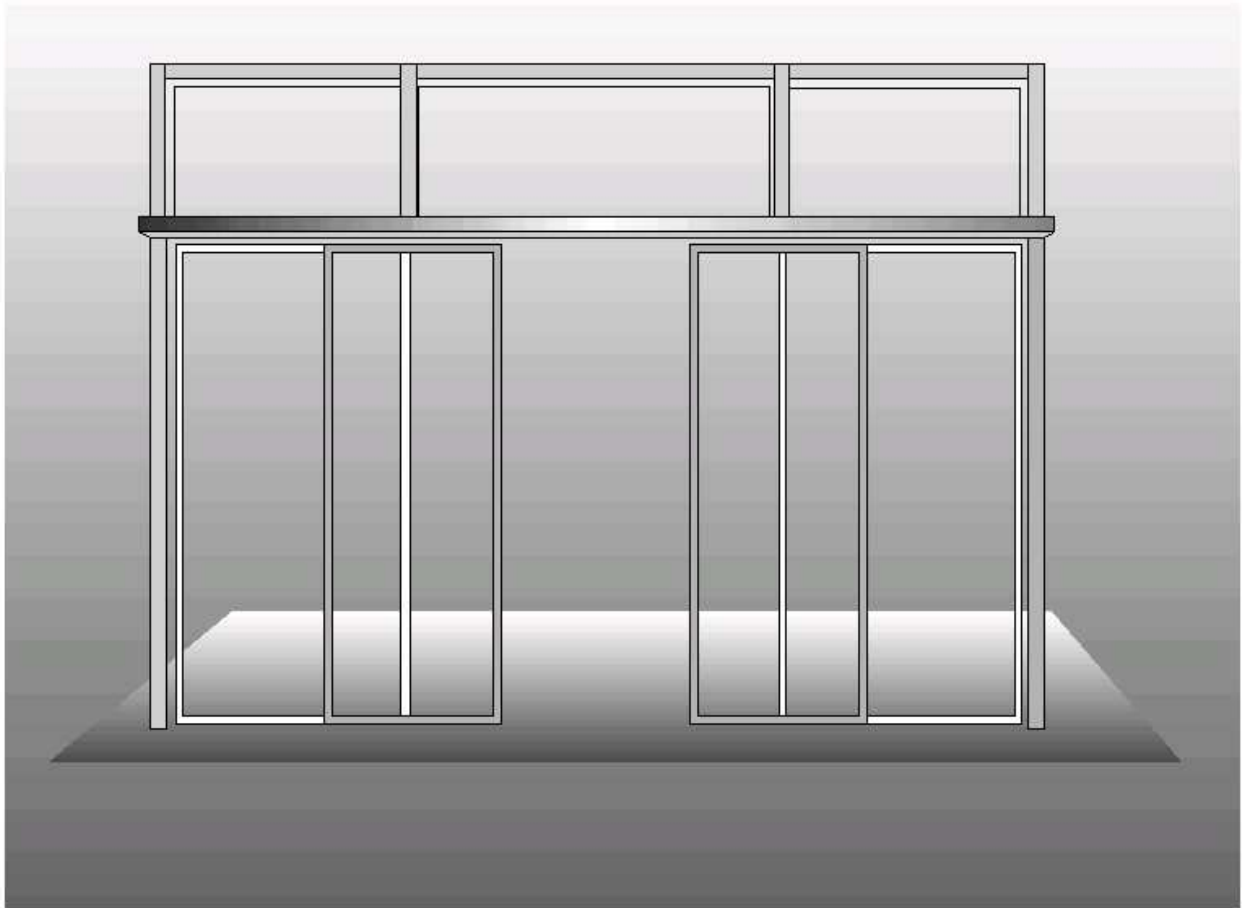


**Slimdrive SL-BO**

**TSA 360 NT-BO**



**Supplementary connection diagram**

Software Version DCU1 V1.3 or higher

**Contents**

<b>1</b>	<b>Information .....</b>	<b>2</b>
	General information.....	2
	Safety information .....	2
<b>2</b>	<b>Break-Out sensor and safety sensor OPEN .....</b>	<b>2</b>
	Break-Out sensor.....	2
	Break-Out sensor with safety sensor OPEN .....	2

# 1 Information

This wiring diagram is a supplement to wiring diagram Mat. no.105127, 70484-9-9847, for standard sliding doors. Break-Out sliding doors are sliding doors for escape and rescue routes. For that reason the following information must be observed in addition to those applying to sliding doors on escape and rescue routes:

## General information

- Prior to commissioning, set door type “Break-Out door” (*dt = 02*).

## Safety information

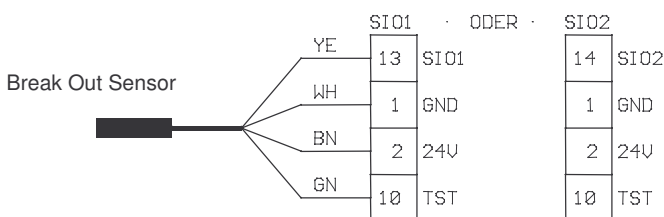
- Observe the “Directive on automatic sliding doors on escape routes (AutSchR)“.
- The function emergency locking is not permissible for automatic sliding doors on escape routes (AutSchR).
- The lock function is not permissible for automatic sliding doors on escape routes (AutSchR).
- The draught-proof function (one DPS for two drives) is not permissible for automatic sliding doors on escape routes (AutSchR).
- The display programme switch must be secured against unauthorised access in accordance with AutSchR , e.g. by installing a key-operated switch that locks the display programme switch.
- The door cannot be locked (change-over to operating mode NA) with a potential-free button / switch.
- Automatic locking (timer) is not permissible for automatic sliding doors on escape routes (AutSchR).

# 2 Break-Out sensor and safety sensor OPEN

- The Break-out sensors control the position of the lateral hinged doors. The sensors are connected to the inputs SIO 1 or SIO 2 together with the possibly existing safety sensors OPEN.

## Break-Out sensor

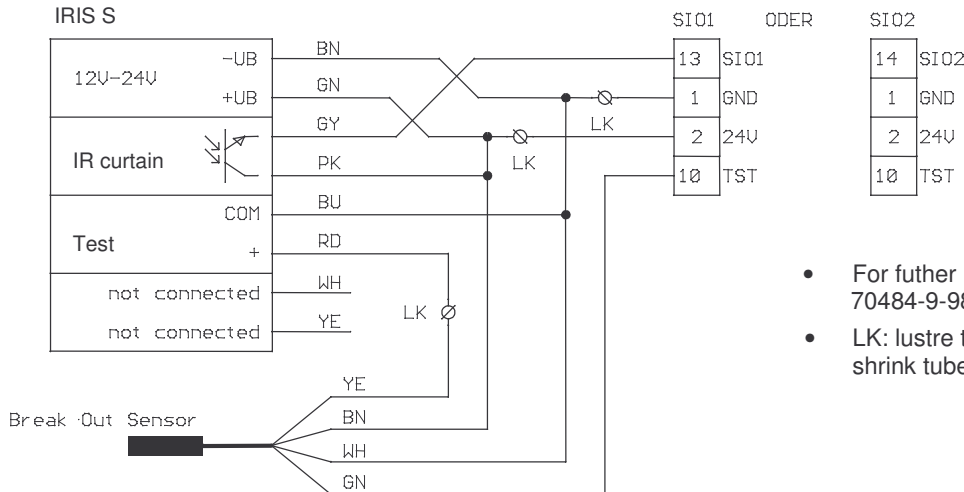
- Single-leaf system will be equipped with a Break-Out sensor (SIO1), the possibly existing safety sensor OPEN will be connected to SIO2 (refer to 70484-9-9847).
- Double-leaf systems will be equipped with two Break-Out sensors (inputs SIO 1 and SIO 2 of processor).
- Break-Out sensors are learned during initialisation of the door.
- In the case of swivelled side panels, the output of the Break-Out sensor is open. The inputs SIO 1 or SIO 2 of the processor are connected to earth.
- If one of the Break-Out sensors is actuated, the opening and closing movement of the door is stopped.
- Break-Out sensor, Mat. no. 076114



## Break-Out sensor with safety sensor OPEN

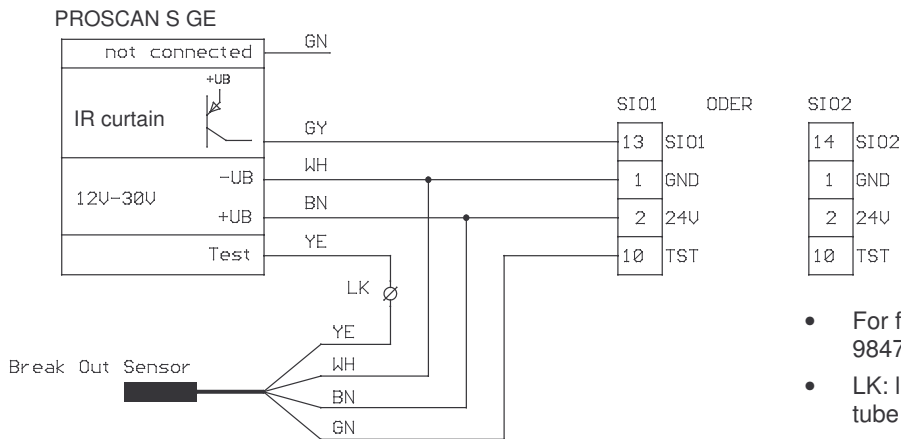
- There is the possibility to connect two Break-Out sensors and two safety sensors OPEN (inputs SIO 1 and SIO 2 of the processor).
- Break-Out sensors and safety sensors OPEN are learned during initialisation of the door.
- In the case of swivelled side panels, the output of the Break-Out sensor is open. The inputs SIO 1 or SIO 2 of the processor are connected to earth.
- In the detection mode the output of the safety sensor OPEN is open, the inputs SIO 1 or SIO 2 of the processor are connected to earth.
- If one of the Break-Out sensors or of the safety sensors is actuated, the opening and closing movement of the door is stopped.

### Break-Out sensor with active infrared threshold sensor IRIS S



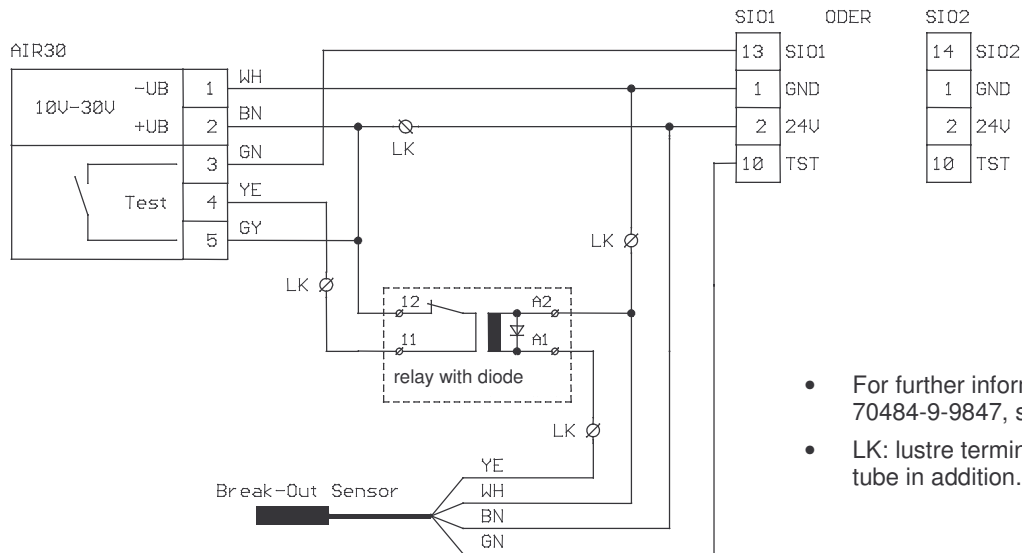
- For further information please refer to 70484-9-9847, safety sensor OPEN IRIS S.
- LK: lustre terminal, to be isolated with a shrink tube in addition.

### Break-Out sensor with active infrared threshold sensor PROSCAN S GE



- For further information please refer to 70484-9-9847, safety sensor OPEN, PROSCAN S GE.
- LK: lustre terminal, to be isolated with a shrink tube in addition.

### Break-Out sensor with active infrared sensor AIR30



- For further information please refer to 70484-9-9847, safety sensor OPEN, AIR30.
- LK: lustre terminal, to be isolated with a shrink tube in addition.

GEZE GmbH  
P.O. Box 1363  
71226 Leonberg  
Germany

GEZE GmbH  
Reinhold-Vöster-Str. 21-29  
71229 Leonberg  
Germany  
Tel. +49 (0)71 52-203-0  
Fax +49 (0)71 52-203-310

**GEZE Online:**  
[www.geze.com](http://www.geze.com)

#### GEZE Branches

##### Germany

**GEZE GmbH**  
Niederlassung Nord/Ost  
Bühningstr.8  
13086 Berlin (Weissensee)  
Tel. +49(0)30-47 89 90-0  
Fax. +49(0)30-47 89 90-17  
E-Mail: berlin.de@geze.com

**GEZE GmbH**  
Niederlassung West  
Nordsternstraße 65  
45329 Essen  
Tel. +49(0)201-830 82-0  
Fax. +49(0)201-830 82-20  
E-Mail: essen.de@geze.com

**GEZE GmbH**  
Niederlassung Mitte  
Adenauerallee 2  
61440 Oberursel (b. Frankfurt)  
Tel. +49(0)61 71-6 36 10-0  
Fax. +49(0)61 71-6 36 10-1  
E-Mail: frankfurt.de@geze.com

**GEZE GmbH**  
Niederlassung Süd  
Reinhold-Vöster-Straße 21-29  
71229 Leonberg  
Tel. +49(0)7152-203-594  
Fax. +49(0)7152-203-438  
E-Mail: leonberg.de@geze.com

#### Subsidiaries

##### Germany

**GEZE Sonderkonstruktionen GmbH**  
Planken 1  
97944 Boxberg-Schweigern  
Tel. +49(0)7930-9 2 94-0  
Fax. +49(0)7930-9 2 94-10  
E-Mail: sk.de@geze.com

**GEZE SERVICE GmbH**  
Reinhold-Vöster-Str.25  
71229 Leonberg  
Tel. +49(0)7152-92 33-0  
Fax. +49(0)7152-92 33-60  
E-Mail: info@geze-service.com

**GEZE SERVICE GmbH**  
Niederlassung Berlin  
Bühningstr.8  
13086 Berlin (Weissensee)  
Tel. +49(0)30-47 02 17-30  
Fax. +49(0)30-47 02 17-33

Your attention is drawn to the "product liability law" defined liability to the manufacturer for his products which are contained in the main catalogue (product information, usage, misuses, product activity, product maintenance, the duty to inform and the duty to instruct). Non-compliance with these conditions relieves the manufacturer from any liability.

#### Asia

**GEZE Asia Pacific Ltd.**  
Unit 630, Level 6. Tower 2  
Grand Central Plaza  
138 Shatin Rural Committee Road  
Shatin, New Territories  
Hong Kong  
Tel. +852 (0) 23 75 73 82  
Fax. +852 (0) 23 75 79 36  
E-Mail: info@geze.com.hk

**GEZE Industries (Tianjin) Co., Ltd.**  
Shuangchenzhong Road  
Beichen Economic Development Area (BEDA)  
Tianjin 300400, P.R. China  
Tel. +86 (0) 22-26 97 39 95-0  
Fax. +86 (0) 22-26 97 27 02  
E-Mail: geze@public1.tpt.tj.cn

**GEZE Industries (Tianjin) Co., Ltd.**  
Branch Office Shanghai  
Dynasty Business Center  
Room 401-402  
No. 457 WuRuMuQi North Road  
200040 Shanghai, P.R. China  
Tel. +86 (0) 21 52 34 09-60/-61/-62  
Fax. +86 (0) 21 52 34 09-63  
E-Mail: gezesh@geze.com.cn

**GEZE Industries (Tianjin) Co., Ltd.**  
Branch Office Guangzhou  
Room 1113, Jie Tai Plaza  
218-222 Zhong Shan Liu Road  
510180 Guangzhou, P.R. China  
Tel. +86 (0) 20 81 32 07-02  
Fax. +86 (0) 20 81 32 07-05  
E-Mail: gezegz@public2.sta.net.cn

**GEZE Industries (Tianjin) Co., Ltd.**  
Branch Office Beijing  
The Grand Pacific Building  
B Tower Room 201  
8 A, Guanghua Road  
Chaoyang District  
100026 Beijing, P.R. China  
Tel. +86 (0) 10 65 81 57-32/-42/-43  
Fax. +86 (0) 10 65 81 57-33  
E-Mail: gezebj@geze.com.cn

**GEZE Asia Sales Ltd.**  
No. 88-1-408, East Road  
Free Trade Zone of Tianjin Port  
Tianjin, P.R. China  
Tel. +86 (0) 22 26 97 39 95-0  
Fax. +86 (0) 22 26 97 27 02  
E-Mail: geze@public1.tpt.tj.cn

#### Middle East

**U.A.E.**  
**GEZE Middle East**  
P.O. Box 17903  
Jebel Ali Free Zone  
Dubai.  
Tel. +971 (0) 4 88 33 112  
Fax. +971 (0) 4 88 33 240  
E-Mail: geze@emirates.net.ae

#### Europe

**France**  
**GEZE France S.A.R.L.**  
ZAC de l'Orme Rond  
RN 19  
77170 Servon  
Tel. +33 (0) 1 60 62 60 70  
Fax. +33 (0) 1 60 62 60 71  
E-Mail: france.fr@geze.com

**Great Britain**  
**GEZE UK Ltd.**  
Blenheim Way  
Fradley Park  
Lichfield  
Staffordshire WS13 8SY  
Tel. +44 (0) 15 43 44 30 00  
Fax. +44 (0) 15 43-44 30 01  
E-Mail: info@geze-uk.com

**Italy**  
**GEZE Italia Srl**  
Via Giotto 4  
20040 Cambiagio (MI)  
Tel. +39 (0) 02 95 06 95-11  
Fax. +39 (0) 02 95 06 95-33  
E-Mail: italia.it@geze.it

**GEZE Engineering Roma Srl**  
Via Lucrezia Romana 91  
00178 Roma  
Tel. +39 (0) 06 72 65 31 1  
Fax. +39 (0) 06 72 65 31 36  
E-Mail: gezeroma@libero.it

**GEZE Engineering Bari Srl**  
Via Treviso 58  
70022 Altamura (Bari)  
Tel. +39 (0) 080 31 15 21 9  
Fax. +39 (0) 080 31 64 56 1  
E-Mail: gezebari@libero.it

**Benelux**  
**GEZE Benelux B.V.**  
Industrieterrein Kapelbeemd  
Leemkuil 1  
5626 EA Eindhoven  
Tel. +31 (0) 40 26 29 08 0  
Fax. +31 (0) 40 26 29 08 5  
E-Mail: benelux.nl@geze.com

**Austria**  
**GEZE Austria GmbH**  
Mayrwiesstraße 12  
5300 Hallwang b. Salzburg  
Tel. +43 (0) 662 66 31 42  
Fax. +43 (0) 662 66 31 42-15  
E-Mail: austria.at@geze.com

#### Poland

**GEZE Polska Sp. z o.o.**  
ul. Annopol 3 (Zerań Park)  
03-236 Warszawa  
Tel. +48 (0) 22 814 22 11  
Fax. +48 (0) 22 614 25 40  
E-Mail: geze@geze.pl

#### Switzerland

**GEZE Schweiz AG**  
Bodenackerstr. 79  
4657 Dulliken  
Tel. +41 (0) 62-285 54 00  
Fax. +41 (0) 62-285 54 01  
E-Mail: schweiz.ch@geze.com

#### Spain

**GEZE Iberia S.R.L.**  
Pol.Ind. El Pla  
C/Comerc. 2-22, Nave 12  
08980 Sant Feliu de Llobregat (Barcelona)  
Tel. +34 (0) 9 02 19 40 36  
Fax. +34 (0) 9 02 19 40 35  
E-Mail: iberia.es@geze.com

#### Scandinavia

**Sweden**  
**GEZE Scandinavia AB**  
Mallsingan 10  
Box 7060  
18711 Täby  
Tel. +46 (0) 8-732 34-00  
Fax. +46 (0) 8-732 34-99  
E-Mail: sverige.se@geze.com

#### Norway

**GEZE Scandinavia AB avd. Norge**  
Postboks 63  
2081 Eidsvoll  
Tel. +47 (0) 639 572 00  
Fax. +47 (0) 639 571 73  
E-Mail: norge.se@geze.com

#### Finland

**GEZE Finland**  
Branch office of GEZE Scandinavia AB  
Postbox 20  
15871 Hollola  
Tel. +358 (0) 10-400 5100  
Fax. +358 (0) 10-400 5120  
E-Mail: finland.se@geze.com

#### Denmark

**GEZE Denmark**  
Branch office of GEZE Scandinavia AB  
Møllehusene 3, 3.th.  
4000 Roskilde  
Tel. +45 (0) 46-32 33 24  
Fax. +45 (0) 46-32 33 26  
E-Mail: danmark.se@geze.com

GEZE Representative:

