

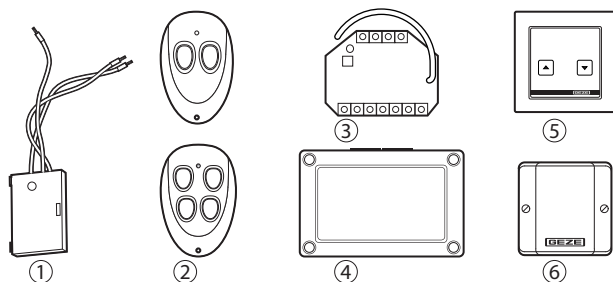
GEZE Wireless Program 24 V window drives

EN Mounting and service instructions

132171-06



1 Wireless program 24 V window drives



- 1 Wireless transmitter module WTM (Id. No. 131212)
- 2 Wireless transmitter hand-held WTH-2 (Id. No. 131210)
Wireless transmitter hand-held WTH-4 (Id. No. 131211)
- 3 Wireless receiver module WRM-24 (Id. No. 131213)
- 4 Wireless receiver module WRM-24B (Id. No. 131214)
- 5 Ventilation switch LTA-24-AZ, flush-mounted (Id. No. 129393)
- 6 e.g. Power supply NT 1,5 A-24 V (ID no. 151425)

2 Function description

2.1 "OPEN" / "CLOSE" command

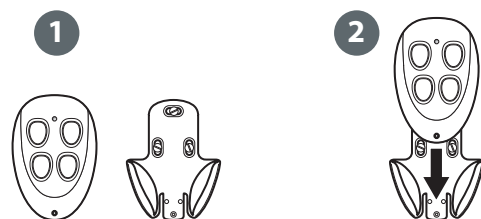
- ▶ In order to open or close windows press the correspondingly taught button on the transmitter.

2.2 "STOP" command

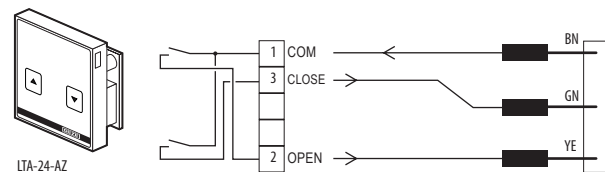
- ▶ In order to stop windows during opening or closing press the corresponding opposite button on the transmitter.

3 Mounting / Connection

3.1 Connecting the wireless transmitter

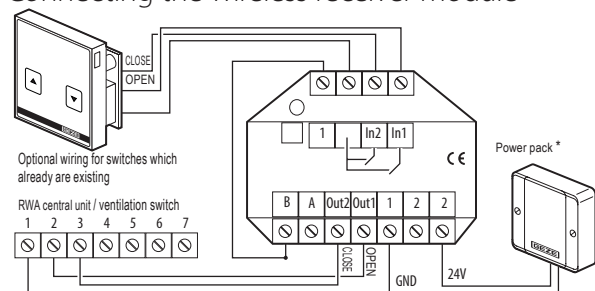


Wireless transmitter hand-held with wall holder

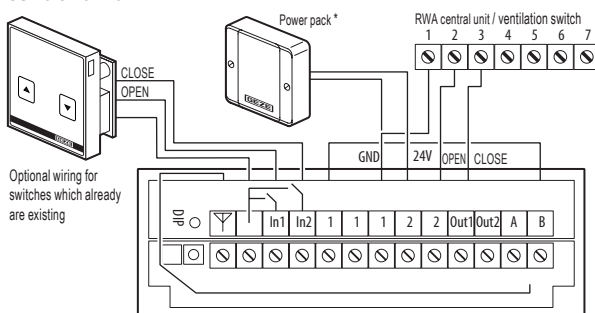


Connecting the wireless transmitter module WTM to the ventilation switch LTA-24-AZ

3.2 Connecting the wireless receiver module



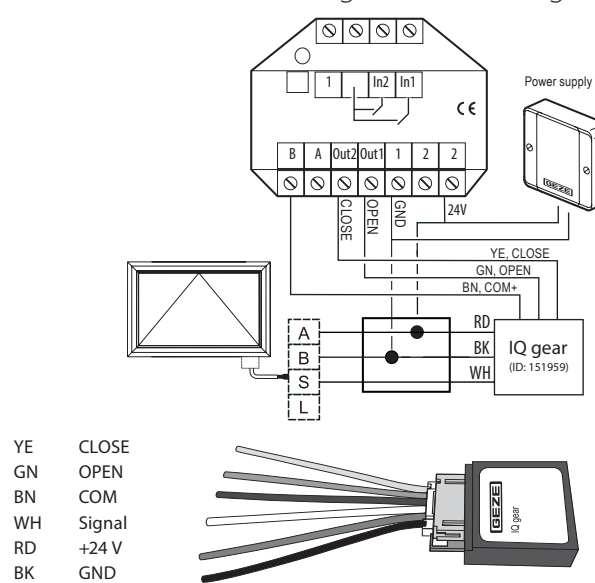
Connecting the wireless receiver module WRM-24 to the RWA central unit



Connecting the wireless receiver module WRM-24B to the RWA central unit

* To ensure emergency power operation the receiving module may not be supplied battery-buffered from the control panel.

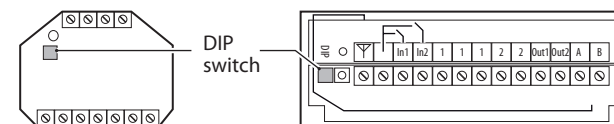
3.3 Connection of the receiving modules to IQ gear



YE CLOSE
GN OPEN
BN COM
WH Signal
RD +24 V
BK GND

3.4 Wireless receiver module operating mode

- ! The operating mode is set by means of the DIP switch at the wireless receiver module that has to be set correctly before commissioning.



DIP switch at the wireless receiver module WRM-24/WRM-24B

Operation without self-locking:

- Actuation as long as push button is pressed.



- ! Wireless signal drops after approx. 10 seconds. RWA control panel or drive must be set to deadman operation.

Operation with self-locking:

- Actuation with continuous signal for maintained command.



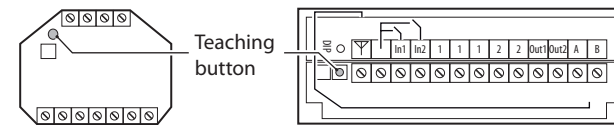
- ! The continuous signal drops out after 10 minutes.

4 Commissioning

- ! Set DIP switch before teach-in. See section 3.4

4.1 Teaching wireless transmitters

For safety reasons, the wireless transmitter can only be taught during the first 5 minutes after the operating voltage has been switched on at the drive.



Teaching button at the wireless receiver module WRM-24 and WRM-24B

- ▶ Press the teaching button at the wireless receiver module for approx. 1 second in order to activate teaching.
 - The wireless receiver module beeps 1 x briefly every 3 seconds.
 - The memory for the "OPEN" function is selected.
- ▶ Press the corresponding button for "OPEN" at the wireless transmitter briefly within 30 seconds.
 - The wireless receiver module beeps 1 x long as confirmation and then 2 x every 3 seconds.
 - The memory for the "CLOSE" function is selected.
- ▶ Press the corresponding button for "CLOSE" at the wireless transmitter briefly within 30 seconds.
 - The wireless receiver module beeps 1 x long as confirmation.
 - The wireless receiver module has been taught successfully and terminates teaching mode automatically.

If further wireless transmitters are to be taught, repeat Steps correspondingly.

A maximum of 85 wireless transmitters can be taught per wireless receiver module. If more than 85 wireless transmitters are to be taught, additional wireless receiver modules are to be connected correspondingly.

4.2 Deleting wireless transmitters

For safety reasons, the wireless transmitter can only be deleted during the first 5 minutes after the operating voltage has been switched on.

- ▶ Press the teaching button at the wireless receiver module for approx. 10 seconds.
 - The wireless receiver module beeps 1 x long as confirmation.
 - All the taught wireless transmitter have been deleted successfully from the memory.

Taught wireless transmitters can only be overwritten. If a taught wireless transmitter is to be deleted, all the taught wireless transmitters have to be deleted.

5 Maintenance / Battery change

5.1 Wireless transmitter hand-held

The battery durable life is designed for approx. 10,000 operations. When the battery power declines, the LED begins to flash during operation. The battery should then be replaced by a new A23/MN21/P23GA battery (Id. No. 131217).

5.2 Wireless transmitter module

The battery durable life is designed for approx. 100,000 operations. When the battery power declines, the LED begins to flash during operation. The battery should then be replaced by a new CR 2032 battery (Id. No. 131218).

6 Technical data

Frequency:	433.92 MHz
Security:	Rolling code
Range:	approx. 30 m
Power supply:	WTH: 12 V, A23/MN21/P23GA battery, 50 mAh
	WTM: 3 V, CR 2032 battery, 220 mAh
	WRM-24: 24 V, 12.5 mA (power consumption during standby)
	WRM-24B: 24 V, 12.5 mA (power consumption during standby)
Relay contact:	WRM-24: 2 outputs 100 mA, 48 V
	WRM-24B: 2 outputs 100 mA, 48 V
Dimensions (W x H x D):	WTH: 78 x 51 x 23 mm
	WTM: 44 x 30 x 11 mm
	WRM-24: 52 x 47 x 23 mm
	WRM-24B: 130 x 80 x 35 mm
Degree of protection:	WTH: IP 54
	WTM: IP 20
	WRM-24 IP 20
	WRM-24B IP 54
Storage temperature:	-20 to +85 °C
Operating temperature:	0 to +50 °C
Humidity:	max. 95%, non-condensing

7 Declaration of conformity

GEZE herewith states that the

- Wireless transmitting module WTM
- Hand-held transmitter WTH-2 / WTH-4
- Receiving module WRM-24 / WRM-24B

corresponds to Directive 2014/53/EU. The complete text of the EU Declaration of Conformity is available at the following internet address: www.geze.com

GEZE GmbH
Reinhold-Vöster-Straße 2129
71229 Leonberg
Germany

Tel.: 0049 7152 203 0
Fax: 0049 7152 203 310
www.geze.com

