

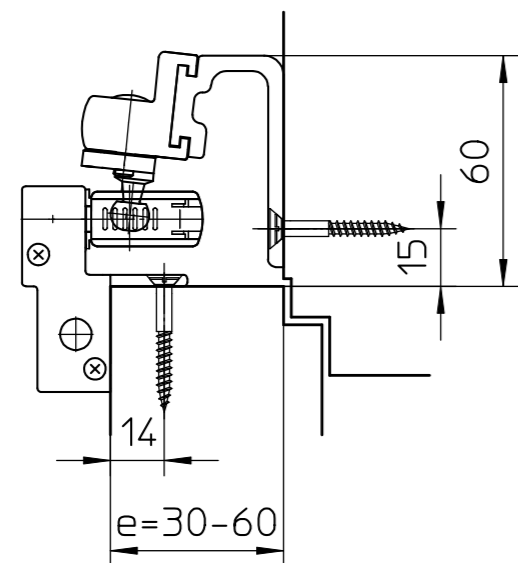
Important information:

- Mounting drawing, assembly instructions, requirements for maintenance and operation must be followed.
- The specified range of applications must be maintained.
- The mounting dimensions must be observed.
- The required fixtures must be used.
- To avoid injury, protective covers must be screwed on projecting threads of the fastening screws.
- Fittings have been drawn in the closed position, however, assembly must occur in open position.

- All attachment screws in open position must be tightened with an Allen key 3mm with 5Nm.
- After assembly and before operation check function and make sure all clamping screws are tightened.
- Linkage and sliding points must be lubricated with an acid-free grease according to DIN 51825.
- The free accessibility of the fittings for lubricating and maintenance must be guaranteed according to DIN 18357.
- If rods or cover profiles of other manufacturers are used, GEZE will neither assume any liability for material quality and sufficient corrosion protection in accordance with the RAL quality assurance nor for possibly occurring damages and consequential losses.
- As of a free rod length of 600mm, rod guides must be used.

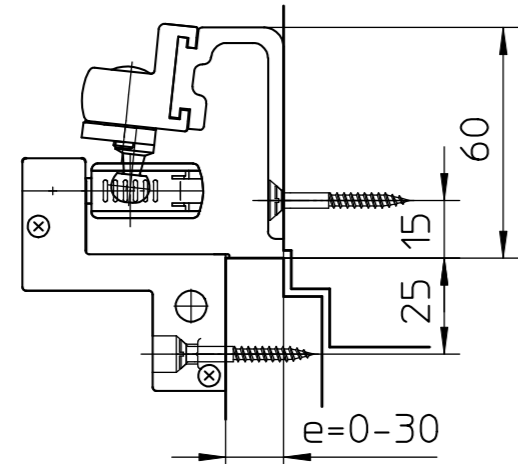
soffit depth 30-60mm

transmission on right and left side

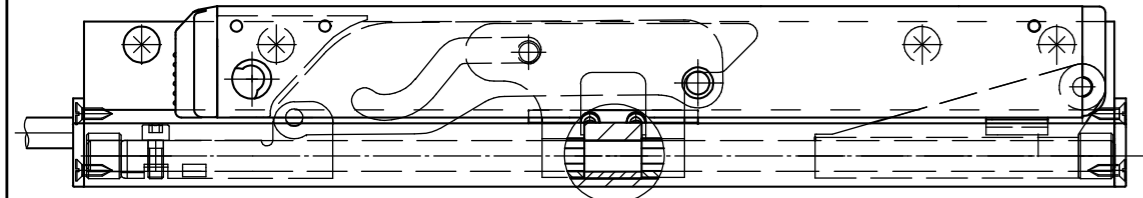


soffit depth 0-30mm

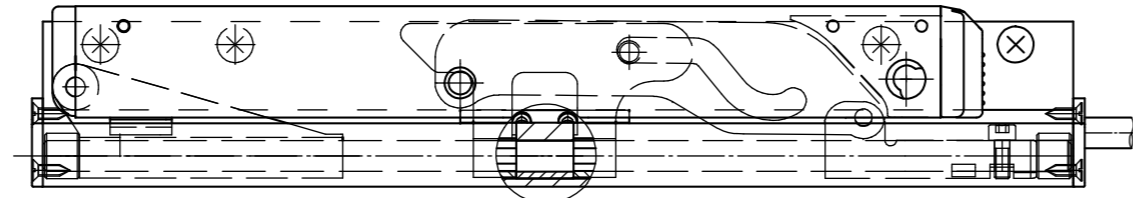
transmission on right and left side



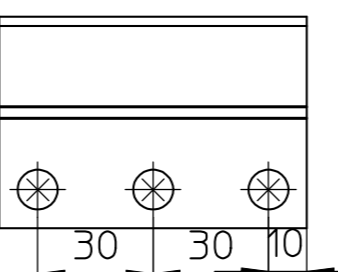
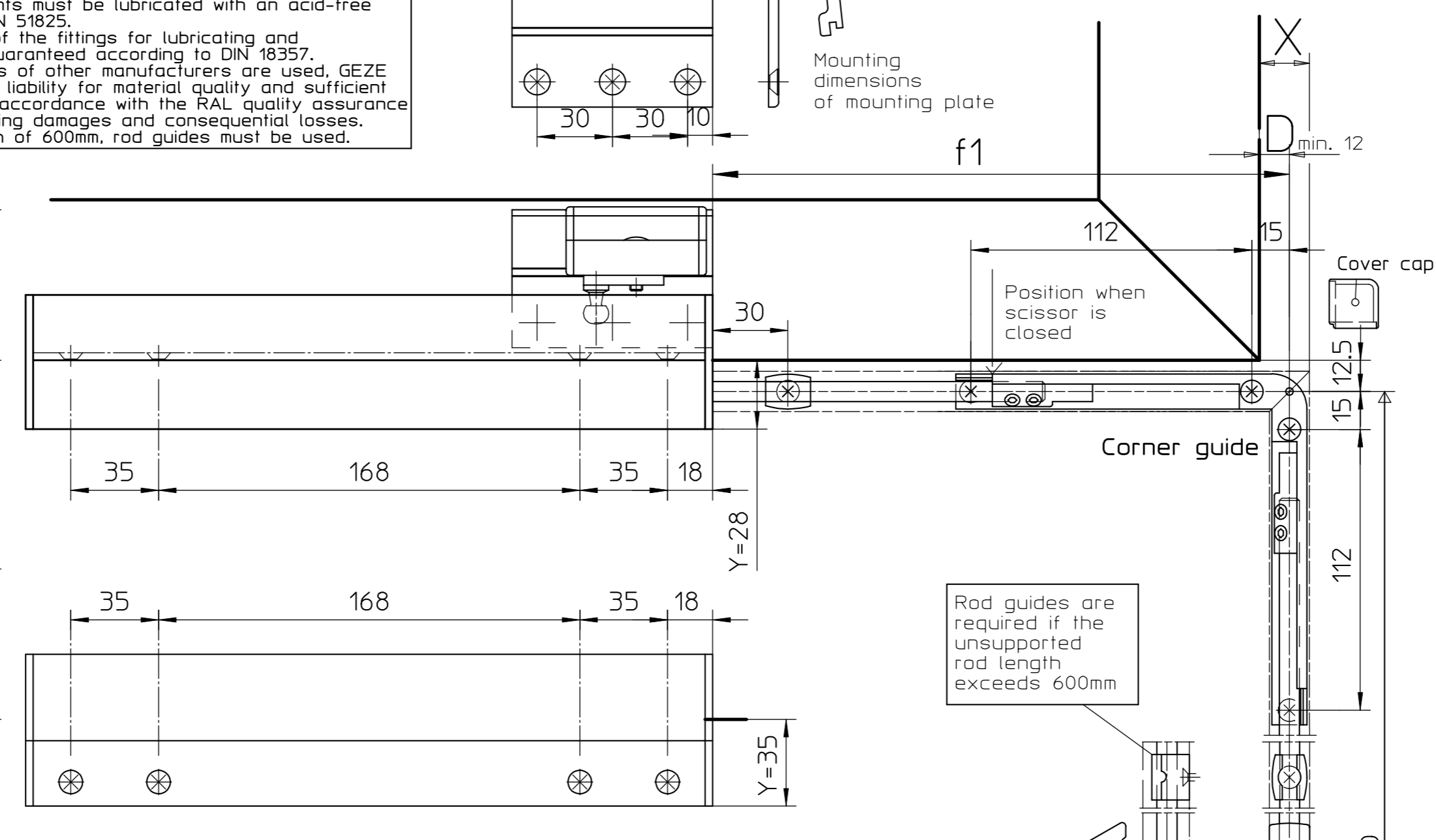
Scissor for soffit depth 30-60mm transmission on left side



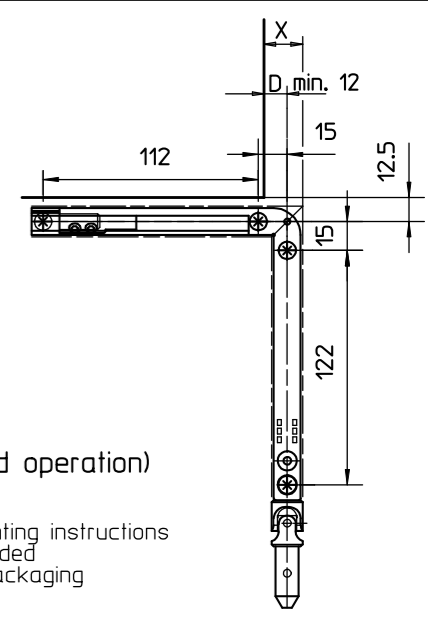
Scissor for soffit depth 30-60mm transmission on right side



Drawing shows closed scissor, transmission on right side. For mounting: scissor must be open, Transmission on left side mirror image.



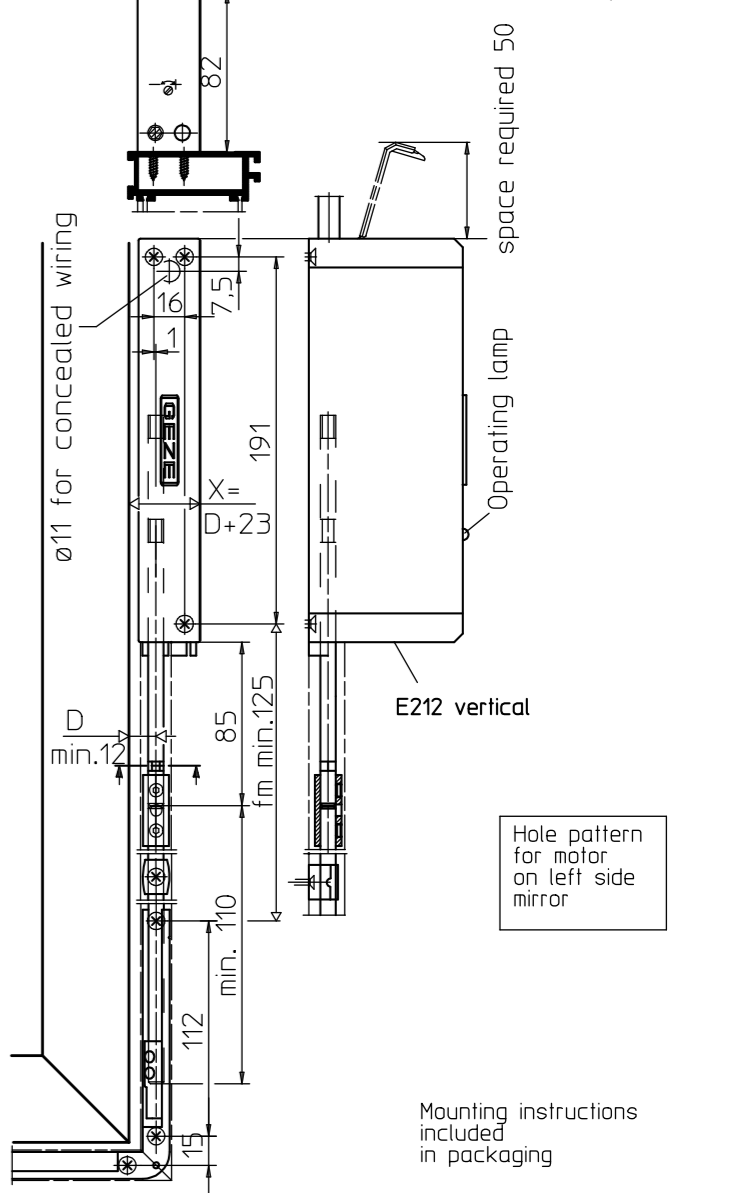
Mounting dimensions of mounting plate



Gear Fz90R
(Fz90L for left-hand operation)

Mounting instructions included in packaging

Electric drive E212R, E212R1



clear frame width a _{top-hung}	Mounting dimensions f	Cover profile LA1	Lengths of the rods (LZ) and cover profiles (LA)
400 - 460	f1=a-277+D	LA1 with cover cap = f1-8	<p>1 scissor</p> <p>with hand lever</p> <p>Gear Fz90R/L</p>
			<p>2 scissors</p>
460 - 1200	f1=a/2+D-47	LA1 with cover cap = f1-8	
1201-2400	f1=a/3+D-47 f2=a/3	LA1 with cover cap = f1-8	
			LA2=a/3-274

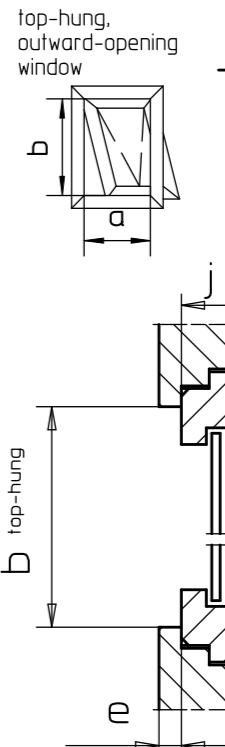
Designation	Id.-No. for colour:			St.
	EV1 anod.atu.	white RAL9016	RAL...	
OL90N scissor with accessories for window top-hung outward soffit depth 0-30 mm	117700	117771	117772	8
Transmission on right side	118060	118081	118082	8
Transmission on left side	117773	117774	117775	8
Transmission on right side	118083	118084	118085	8
Transmission on left side				

Furthermore statements, list of orders and accessories see mounting instructions Id.-No.118151 Dr.-No.40421-9-0950

Window type	Fastening screws	Borehø
Timber	Countersunk-head tapping screws 4x35 DIN 97 / DIN 7997	2,5mm
Aluminium	Countersunk tapping screws 4.2xL DIN7972 / DIN7982 Screw must penetrate the profile wall by at least 1,8mm	3,5mm
UPVC	Countersunk tapping screws 4.2xL DIN7972 / DIN7982 Screw must penetrate at least two profile walls	3,5mm

Fastening screws are not included

EMPB = Erstmusterprüfbericht /First sample test report



Area of application

- for vertically installed outward opening top-hung windows
- a = clear frame width for timber/aluminium 400 to 1200 mm (tandem 2400 mm) for plastic a max. 800 mm (Tandem 1600 mm)
- b = clear frame height min 370 mm
- e = soffit depth 0-30 and 30-60mm
- Y = space required on bottom on cover frame: for e = 0 to 30mm: 35mm for e = 30 to 60mm: 28mm
- X = space X required on the side: Hand lever D+10mm (min.22mm) Gear Fz90 D+10mm (min.24mm) Fz 90 with detachable crank rod D+14mm Electric drive E212R, E212R1 D+23mm
- D = lateral: distance between clear frame edge and centre of rod: min. 12 mm
- j = inner edge of casement to pivot point of hinge max.70mm

Opening width	approx. 170mm
Length of stroke	54mm
Casement weight	max.80kg
Panel weight	max.30kg/m²

GEZE GEZE GmbH P.O. Box 13 63 71226 Leonberg Germany		Benennung / designation OL90N top-hung outward-opening (neu) LT 0-30 and 30-60mm	
vertraulich / confidential			
erstellt / drawn	08.12.2008	Name / name	Blatt / von sheet / of 2/2
gepr. / checked	12.01.2010	Mapstabscale	1:2
Ersatz für: subst. für:		Sprache / language GB	
Ersetzt durch: subst. with:		Zeichnungs-Nr. / document-no. 40421-EP-001	

Diese Zeichnung entspricht dem Entwicklungsstand des Zeichnungsdatums bzw. der letzten Änderungseintragung. Aus der Benutzung der Zeichnung können keine Ansprüche, gleich welcher Art, einschließlich Schadenersatzansprüche, abgeleitet und gegen GEZE geltend gemacht werden. Die Zeichnung bleibt unser Eigentum und ist Dritten nur für die Vertragsdauer zur Benutzung überlassen. Sämtliche sich aus der Zeichnung ergebenden Ansprüche stellen ausschließlich GEZE zu. Ohne vorherige Zustimmung von GEZE darf diese Zeichnung weder ververvielfältigt noch Dritten zugänglich gemacht werden.
This drawing shows the actual state of product development at the date of the drawing or the revision date. No claims or damages in any form can be made against GEZE as a result of the interpretation of this drawing. This drawing remains the property of GEZE and is made available to third parties only for the duration of contractual obligations. All rights connected with this drawing remain in possession of GEZE. This drawing may not be copied or handed over to third parties without the express consent of GEZE.