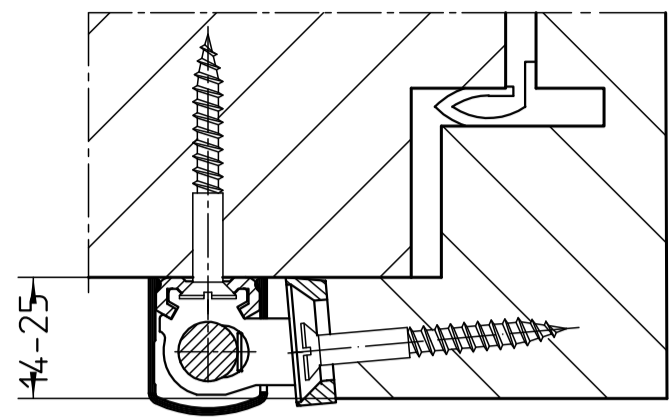


Additional locking OL90N+OL95 for 0 - 17 mm overlap

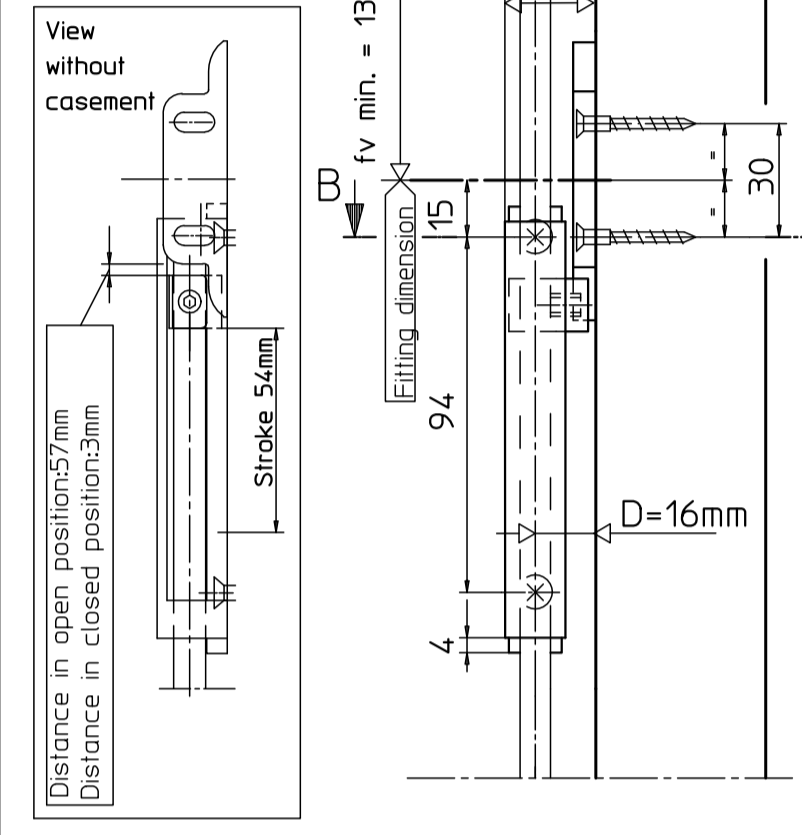
Additional lock for 14 - 25mm overlap

B - B

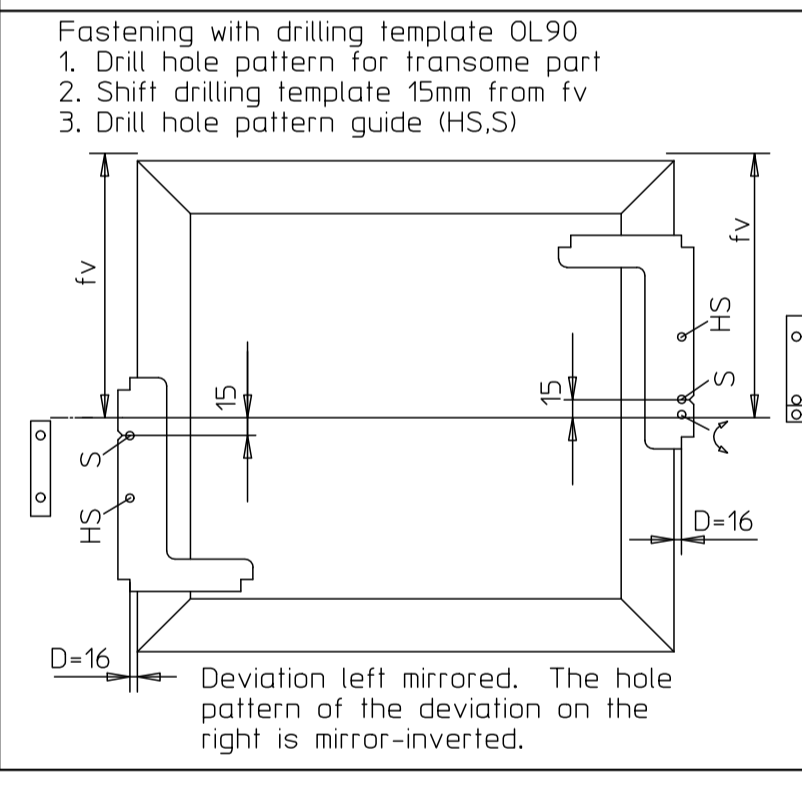


1:1

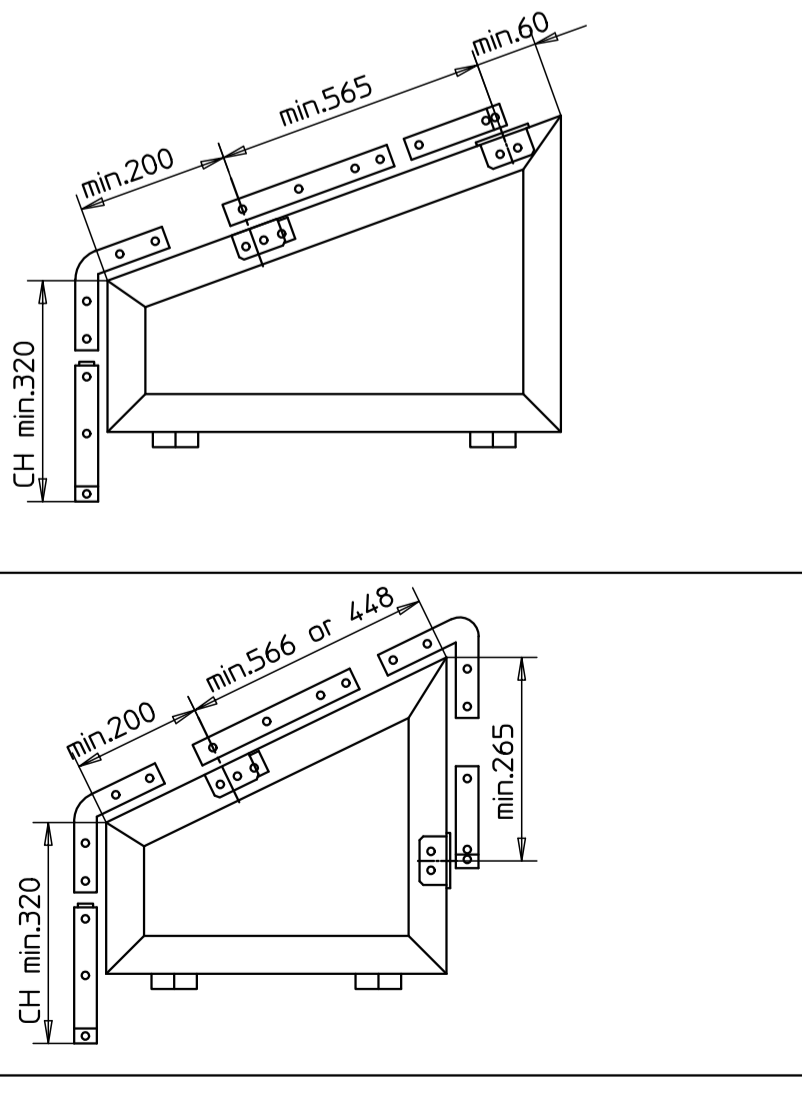
1:2



Drilling template OL90N/OL95 Application for additional locking overlap 14-25mm

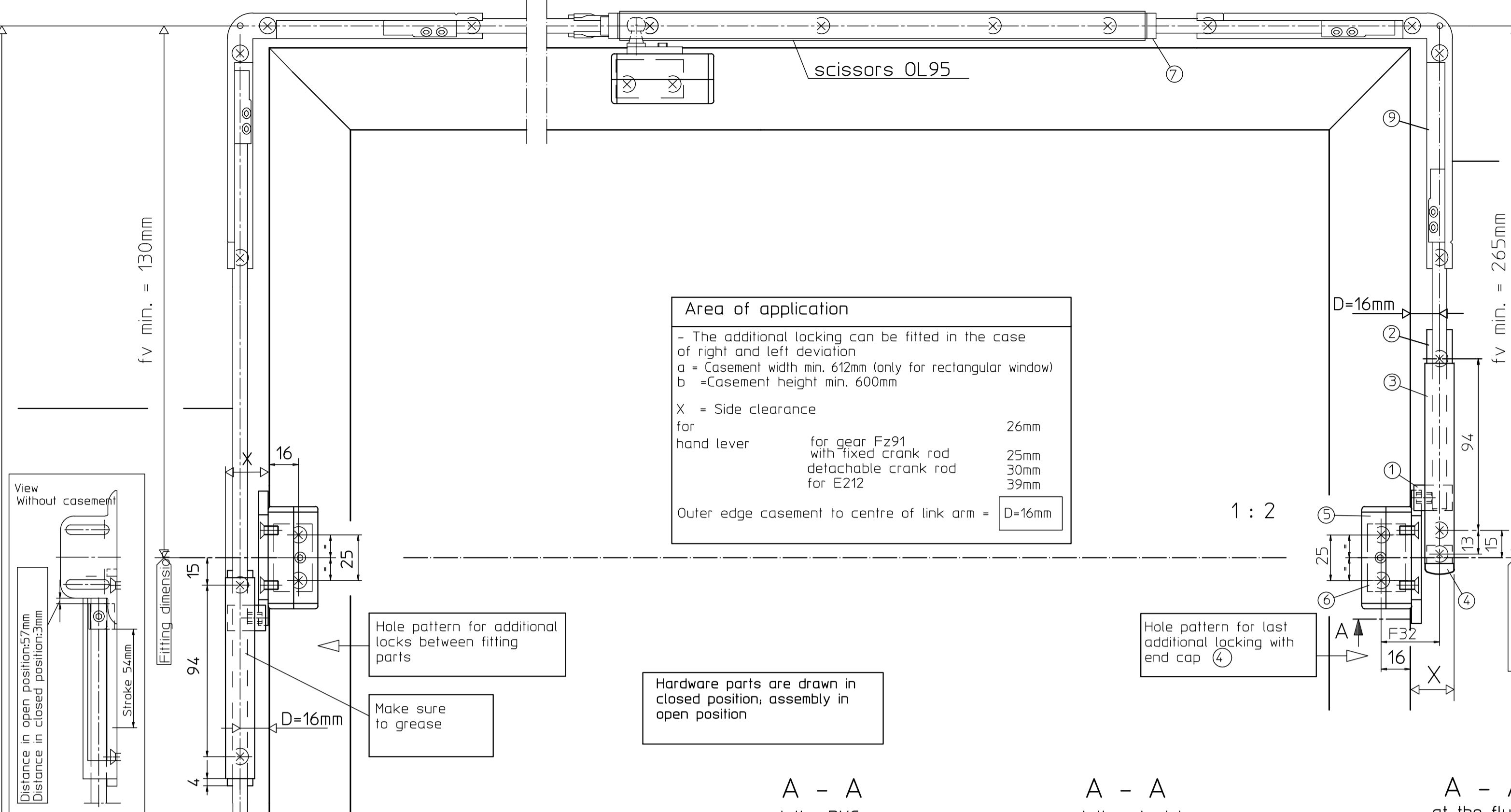


Pitched windows/triangular windows - Fitting dimensions



CA min. = 430mm

fv min. = 130mm



Area of application
 - The additional locking can be fitted in the case of right and left deviation
 a = Casement width min. 612mm (only for rectangular window)
 b = Casement height min. 600mm
 X = Side clearance for hand lever
 for gear Fz91 with fixed crank rod 26mm
 detachable crank rod 25mm
 for E212 30mm
 39mm
 Outer edge casement to centre of link arm = D=16mm

Hardware parts are drawn in closed position, assembly in open position

Hole pattern for additional locks between fitting parts

Make sure to grease

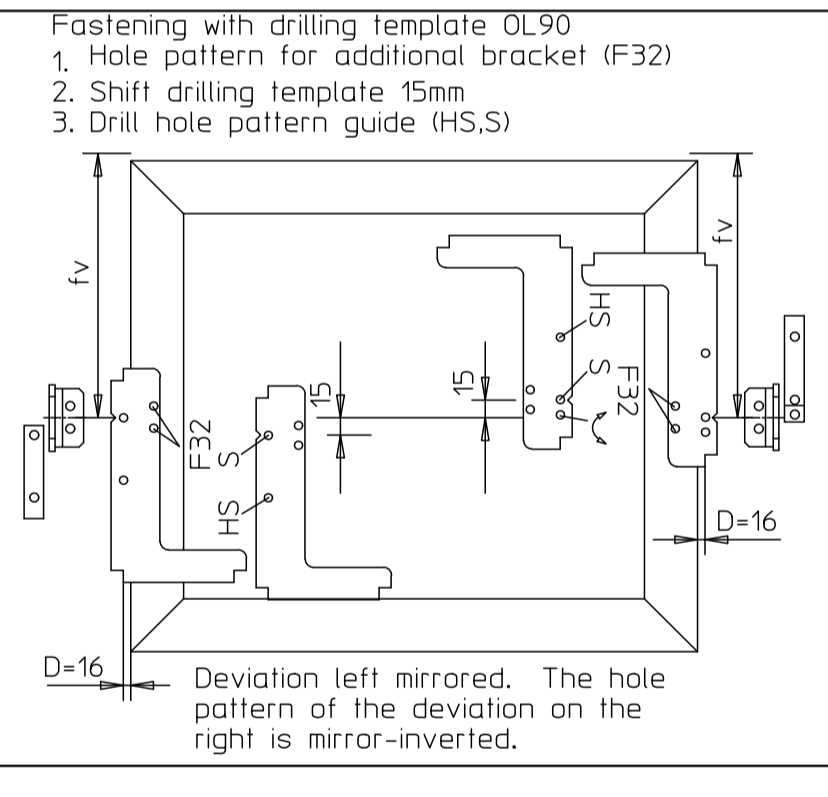
Hole pattern for last additional locking with end cap

A - A at the PVC window 1:1

A - A at the aluminium window with overlap 1:1

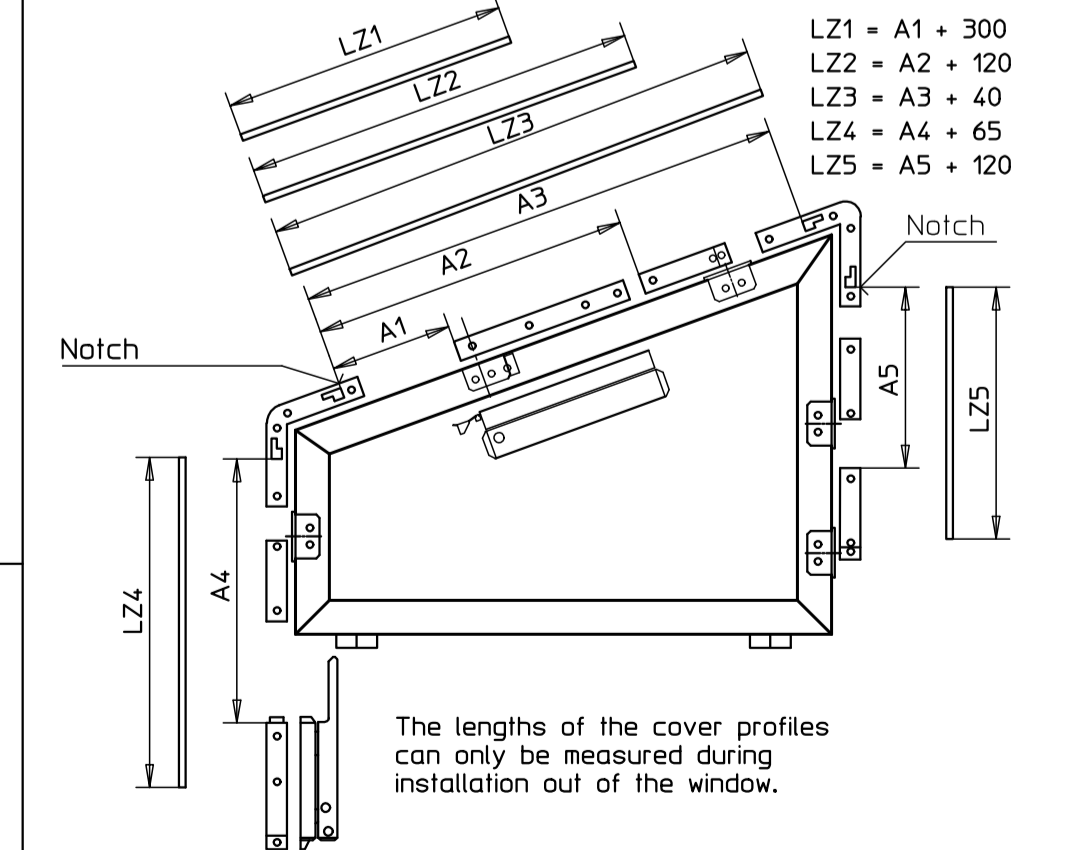
A - A at the flush aluminium window 1:1

Drilling template OL90N/OL95 Application for additional locking overlap 0-17mm



Deviation left mirrored. The hole pattern of the deviation on the right is mirror-inverted.

Lengths of rods (LZ) and cover profiles



Formulas for rough calculation of the order requirement:

	Cover profiles	Drive rods
Side P with 2 corner angles	P - (V x 110) - 160	P - 120
Side P with 1 corner angle	P - V x 110 - 240	P - 170
Hand lever side	CH - V x 110 - 110	CH - 150
Opposite hand lever side	fv - V x 110 + 50	fv - 105

V = Number of additional locking mechanism on the respective side
 CH = Upper corner window to lower edge hand lever base plate
 fv = Fitting dimension locking device P = length of oblique leg

Casement width a	f-dimensions	Rectangular window Length of the rods (LZ, LZ) and the cover profiles (LA) (Cover profiles with cover cap or milled cut)
612-845	f1=a-432 f4=464	1 scissors LA1=f1-9 LA1=f1-25 LA2=f4-264,5 LA2=f4-280,5
845-1200	f1=a/2-10 f4=f1+51	2 scissors LA5=fv+19 LA5=fv+3 LA6=CA-fv-28 LA7=fv-99 LA7=fv-105 LZ2=fv-82 LZ=CA-158 min.300 min.130 min.265 a = min.612 D=16
1120-1270	f1=a-934 f2=502 f4=464	2 scissors LA1=f1-9 LA1=f1-25 LA3=f2-288 LA2=f4-264,5 LA2=f4-280,5
1270-2400	f1=a/3-87 f2=a/3+79 f4=a/3+40	2 scissors LA1=f1-9 LA1=f1-25 LA3=f2-288 LA2=f4-264,5 LA2=f4-280,5 LO=f1+f2+f4-144 D=16
1620-1700	f1=a-1436 f2=502 f3=f2 f4=464	3 scissors LA1=f1-9 LA1=f1-25 LA3=f2-288 LA4=f3-288 LA2=f4-264,5 LA2=f4-280,5 LO=f1+f2+f3+f4-144 D=16
1700-2800	f1=a/4-161 f2=a/4+77 f3=f2 f4=a/4+39	3 scissors LA1=f1-9 LA1=f1-25 LA3=f2-288 LA4=f3-288 LA2=f4-264,5 LA2=f4-280,5 LO=f1+f2+f3+f4-144 D=16

Further installation drawings for GEZE OL95 :

OL 95 with hand lever	40445-EP-02
Installation of swivelling hand lever	40444-EP-02
OL95 with electric drive E212 horizontal	40445-EP-03
E212 vertical	40445-EP-04
OL95 with hand lever and bendable corner bracket for pitched windows	40445-EP-08
OL95 with E-drive E212 and additional lockings	40445-EP-11
OL95 with gear Fz91 and additional lockings	40445-EP-12

Mounting elements

Window type	Fixing screws	Drill ø
Wood	Countersunk wood screws 4x35 DIN 97 aDIN 7997	2,5mm
Aluminium	Countersunk self-tapping screws 4.2xL DIN7972 or DIN7982 Screw must go through min.1,8mm profile wall	3,5mm
Plastic	Countersunk self-tapping screws 4.2xL DIN7972 aDIN7982 Screw must go through min.2 profile walls	3,5mm

Fixing screws are not included in the delivery.

Technical data

- Opening width approx. 220mm
- Fitting stroke 54mm
- Max. locking force 150N
- Pre-tightening 4mm
- Overlap 4,5mm

Important information:

- Installation drawing, installation instructions, maintenance and operating instructions must be observed.
- The specified area of application must be observed.
- The prescribed fitting dimensions must be observed.
- The prescribed mounting elements must be used.
- In order to avoid injuries, protective caps must be turned on projecting threads of the fixing screws. - Fittings are drawn in the closed position, but assembly is carried out in the open position.
- All fixing screws must be tightened in the open position with an Allen key SW3 with 5Nm.
- After assembly and before commissioning, the function of tightening all fixing screws must be checked, and all fixing screws must be tightened again.
- The joints and sliding points must be greased with an acid-free grease in accordance with DIN 51825.
- The free accessibility of the fitting parts for greasing and maintenance must be ensured in accordance with DIN 18357.
- If rods and cover profiles from other manufacturers are used, GEZE assumes no warranty and no liability for the resulting damage, and consequential damage.
- From a free rod length of 600mm, rod guides must be used.
- The use of a suitable safety catch is prescribed for bottom-hung windows (see GEZE gripping and cleaning scissors).

Pos.	Name	Ident no. for version:					Pc.
		EV1	dark bronze	white RAL9010	white RAL9016	RAL...	
1	Additional locking for overlap 0-17mm (1 piece) Content:	30519	30520	30521	30523	30522	5
1	Sliding part						
2	Guide						
3	Cover for locking mechanism						
4	End cap						
5	Additional bracket for transome part						
6	Screw plate						
7	Connection part						
10	Protective cap						
1	Additional locking for overlap 14-25mm (1 piece) Content:	30524	30525	30526	30528	30527	5
1	Sliding part						
2	Guide						
3	Cover for locking mechanism						
4	End cap						
8	Transome part						
1	Connection part						
9	Corner transmission for rectangular windows			70546			4
1	Bendable corner transmission			68142			4
Rods and cover profiles							
	Cover profile L=2m *	30401	30402	30403	30405	30404	
	Cover profile L=3m *	30396	30397	30398	30400	30399	
	Cover profile L=6m	27558	27559	27560	27561		
	Rod Ø8 galvanised L=2m			16555			
	Rod Ø8 galvanised L=3m			16591			
	Rod Ø8 galvanised L=6m			16592			
11	Accessories (Must be ordered separately)						
	Drilling template OL90N/OL95			43546			
	Rod coupling OL90N/OL95	for wood 54799 yellow			for plastic/metal 54800 blue		
6	10 Rod guide			10878			1each

GEZE GmbH
 P.O. Box 13 63
 7226 Leornberg
 Germany

OL 95 additional locking
 Overlap 0-17 mm and 14-25 mm

Material-Nr. / sheet / of 2 / 2
 0-no.

1:1

Fig. Prod./Rel. Prod

Zechungs-Nr. / document-no. 40445-EP-10