

For areas with air permeability requirements

**GEZE MCRDRIVE MODULAR
SLIDING DOOR SYSTEM**

Solution for hermetic door requirements



**MIX &
MATCH!**

GEZE MCRDRIVE MODULAR SLIDING DOOR SYSTEM

Mix & Match!

GEZE MCRdrive is a modular sliding door system for areas of buildings where hermetic air tightness is required.

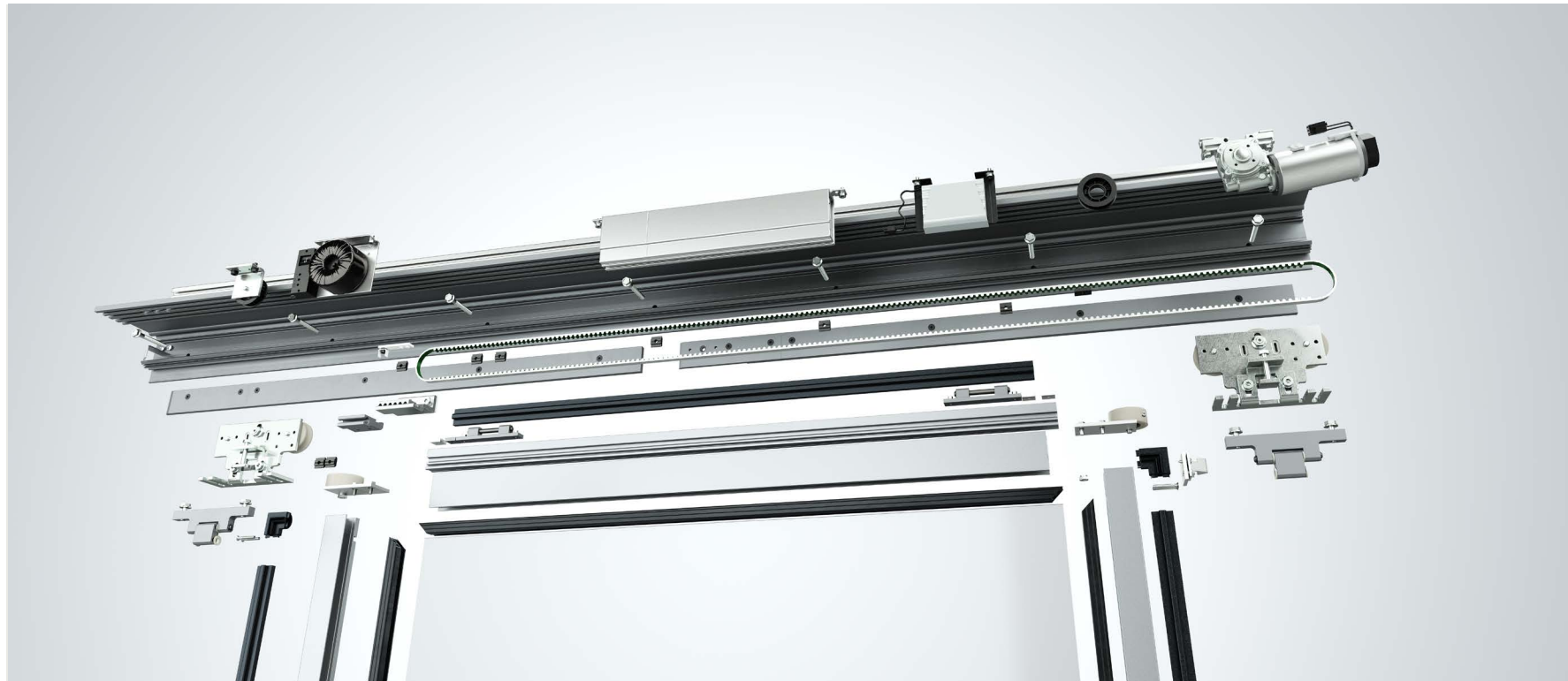
The unique point about GEZE MCRdrive is that it offers functional product safety thanks to a certified overall system that conforms to applicable standards, and fulfils the requirements for buildings to have modern and appealing designs.

In addition, thanks to its modular design and uniform profile and sealing system, GEZE MCRdrive offers configuration options for maximum customisation.



GEZE MCRDRIVE MODULAR SLIDING DOOR SYSTEM

Hermetic, modular, certified



AREAS OF APPLICATION:

The sliding door system was specially designed for use in access areas to operating rooms, quarantine rooms and intensive care areas in hospitals, laboratories in research institutions, and in the pharmaceutical and food industries.

→ [Product detail page](#)

PRODUCT FEATURES:

- TÜV type tested in accordance with DIN 18650 / EN 16005
- Air permeability class in accordance with EN 1026 / EN 12207 B
- Sound insulation requirements in accordance with EN 4109 of 37 dB
- Radiation protection via lead insert according to DIN 6834-1

GEZE MCRDRIVE MODULAR SLIDING DOOR SYSTEM

Modular design, maximum flexibility



GEZE MCRDRIVE MODULAR SLIDING DOOR SYSTEM

At a glance

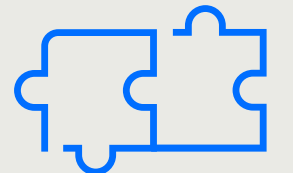
EFFICIENCY BY DESIGN

- Simple and quick installation thanks to assembly tolerances and the option to perform fine adjustments of the door leaf to meet the structural requirements on site
- Low processing complexity, simple product concept
- Interface for networking to the building management system
- Simple configuration and ordering



MODULAR CONCEPT

- Maximum customisation thanks to a choice of selecting the MCR core components only or the MCR drive kit or secondary components
- Universal profile and sealing system for glass, HPL or stainless steel door leaf designs



TESTED AND CERTIFIED SLIDING DOOR SYSTEM

- TÜV type tested in accordance with DIN 18650 / EN 16005
- Air permeability class in accordance with EN 1026 / EN 12207 B
- Sound insulation requirements in accordance with EN 4109 of 37 dB
- Radiation protection via lead insert according to DIN 6834-1



DESIGN-ORIENTED SOLUTION

- Sophisticated profile system for creating an elegant, slim appearance and large glass surfaces
- Innovative overall concept





**Connecting expertise –
building solutions.**

Follow us!



GEZE GmbH

Reinhold-Vöster-Straße 21–29
71229 Leonberg

Deutschland

Phone: +49 (0)7152 203 0

Telefax: +49 (0)7152 203 310

Email: : info.de@geze.com

www.geze.com