

Wireless extension FA GC 170

Clever components for GEZE hold-open systems



**GERMAN
DESIGN
AWARD
SPECIAL
2019**

Wireless Kit FA GC 170



With the GC 171 wireless module, it is now possible to connect additional components for hold-open systems such as ceiling-mounted fire detectors and manual trigger switches to the hold-open system. There is therefore no need for separate cabling to these components. The system is eminently suitable for installations in listed buildings or for retro-fitting in existing buildings.

The FA GC 170 wireless extension system has a general construction technique permit, it can be used on all GEZE hold-open systems and it has been tested in accordance with EN 54-25. With a eight-year battery life, the wireless extension is setting new standards.

- Wireless connection of ceiling-mounted detector and manual trigger switch to lintel-mounted detector
- Optimised for all GEZE hold-open systems
- Simple planning and uncomplicated retrofitting
- Quick and easy connection with DIP switch
- No need for a teach-in: the “Wireless Kit Set” is already pre-configured.
- Low servicing costs due to long battery life of 8 years



COMPONENTS OF THE FA GC 170 WIRELESS EXTENSION

→ GC 171 – wireless module

The wireless module makes wireless communication possible between the trigger mechanism and the various wireless devices. The GC 171 wireless module is connected to the lintel-mounted smoke switch and supplied with energy via said switch. An alarm triggered by a wireless devices is immediately displayed on the lintel-mounted smoke switch. Interference is displayed in less than 100 s, ensuring approval compliant and safe closing of the door.



→ GC 172 – wireless ceiling-mounted smoke detector

Wireless ceiling-mounted smoke detector for use in GEZE hold-open systems. The smoke detector recognises smoke via the scattered light principle. A light transmitter and a light receiver are arranged in the measuring chamber in such a way that no light meets the receiver module in the normal case. If there are suspended particles (e.g. smoke) in the measuring chamber, these scatter part of the light onto the receiver module, which converts this into an electric signal.



→ GC 173 – wireless ceiling-mounted thermal detector

Wireless ceiling-mounted thermal detector for use in GEZE hold-open systems. Heat detectors measure the ambient temperature and respond if the temperature exceeds a certain maximum value or increases quickly within a certain time.



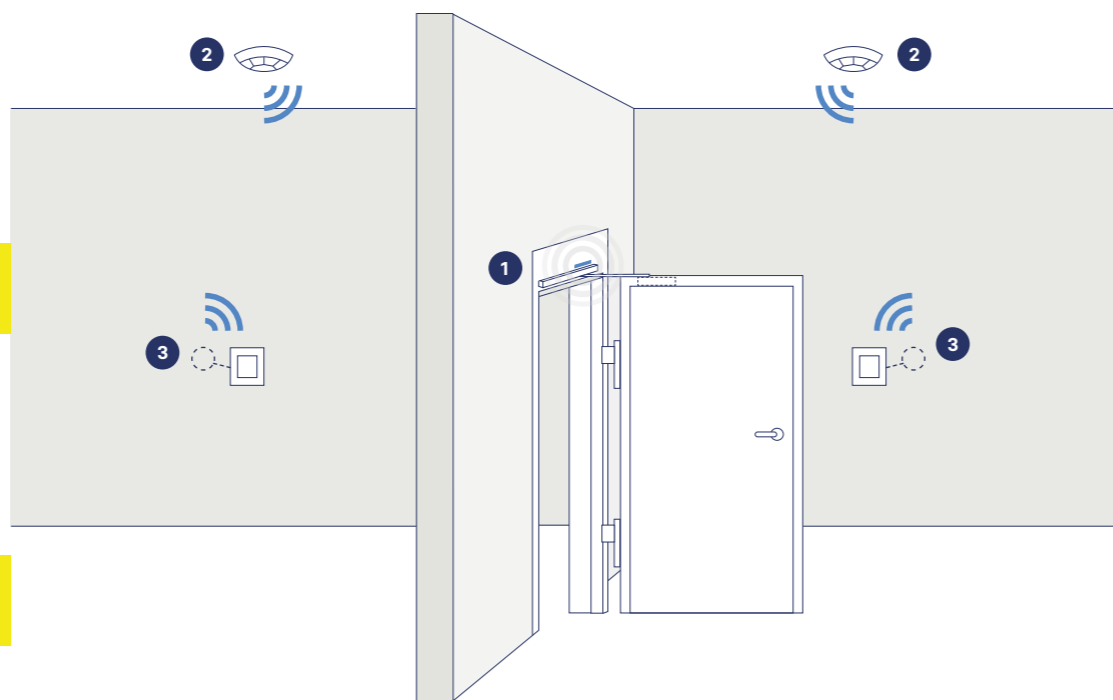
→ GC 175 – wireless input module

The GC 175 wireless input module can be used for wireless connection of a manual trigger switch or for additional release of the hold-open system through signals from another system, such as a fire alarm system.



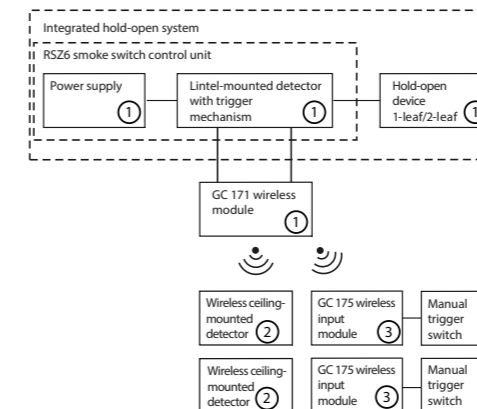
EXAMPLE OF A HOLD-OPEN SYSTEM WITH WIRELESS OR WIRED COMPONENTS

- 1a Power supply to hold-open device / trigger mechanism, such as R-guide rail
- 1b Door closer, e.g. TS 5000
- 1c GC 171 wireless module
- 2 GC 172/GC 173 wireless ceiling-mounted detectors
- 3 Manual trigger switch with GC 175 wireless input module



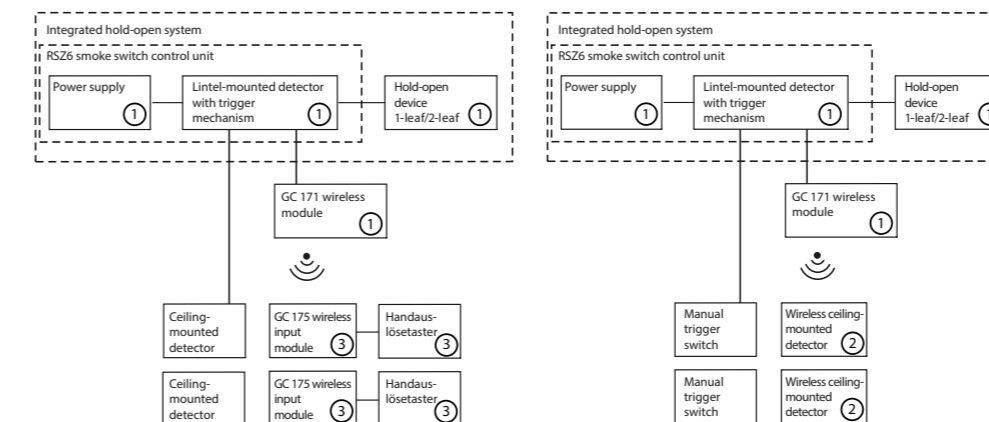
FUNCTION OF A HOLD-OPEN SYSTEM WITH WIRELESS OR WIRED COMPONENTS

→ Radio installation



→ Mixed installation

Ceiling-mounted detectors are wired, manual trigger switches can be retro-fitted by radio. If a manual trigger switch is wired up, then ceiling-mounted detectors can be retro-fitted by radio.



TECHNICAL DATA

Functions	GC 171	GC 172	GC 173	GC 175
Battery life span	8 years			
Range	10 m (100 m in space)			
Dimensions	177 x 30 x 18 mm	110 x 70 mm	110 x 70 mm	52 x 32 mm
Frequency range	868.15 ... 869.85 MHz			
Ambient temperature	-5 °C to 50 °C			
Input voltage	24 V	Battery	Battery	Battery
IP rating	IP20			
Functional principle	-	Scattered light Adaption of the alarm threshold	Alarm, if ambi- ent temperature exceeds the alarm temperature or if the ambient temperature increases very quickly	Reports the state of an external potential-free contact (normally opened contact) to the GC 171 wireless module

OVERVIEW OF ARTICLES

Designation	Description	Version	ID no.
GEZE GC 170 Wireless KIT	Set comprising: GC 171 wireless module for the wireless extension of GEZE hold-open systems and two GC 172 wireless ceiling-mounted smoke detectors		163692
GEZE GC 171 wireless module	For wireless connection of radio components to GEZE hold-open systems	anthracite	163051
GEZE GC 172 wireless smoke detector	For the wireless connection to GEZE hold-open systems, battery-operated, with base, tested in accordance with EN 54-7 and EN 54-25, general construction technique permit for use with all GEZE hold-open systems	white RAL 9016	195522
GEZE GC 173 wireless thermal detector	For wireless connection to GEZE hold-open systems, battery-operated, with base, tested in accordance with EN 54-5 and EN 54-25, general construction technique permit for use with all GEZE hold-open systems	white RAL 9016	195523
GEZE GC 175 wireless input module	For wireless connection of manual trigger switches or third-party systems for use with all GEZE hold-open systems	black	163068



The architects hotline can help you find out everything about our product solutions and provides tender texts, architects catalogues, and specialist information where necessary.

Contact us at:
Telephone: +49 7152 203-112
Monday – Friday: 7.30am – 5pm
geze.com



For more information regarding
GEZE wireless extensions, please visit
our homepage: www.geze.com/wireless

This brochure was brought to you by:

GEZE GmbH
Reinhold-Vöster-Strasse 21–29
71229 Leonberg
Germany

Telephone: +49 7152 203-0
Fax: +49 7152 203-310
Email: info.de@geze.com